

1 2 3 4 5 6 7 8

A

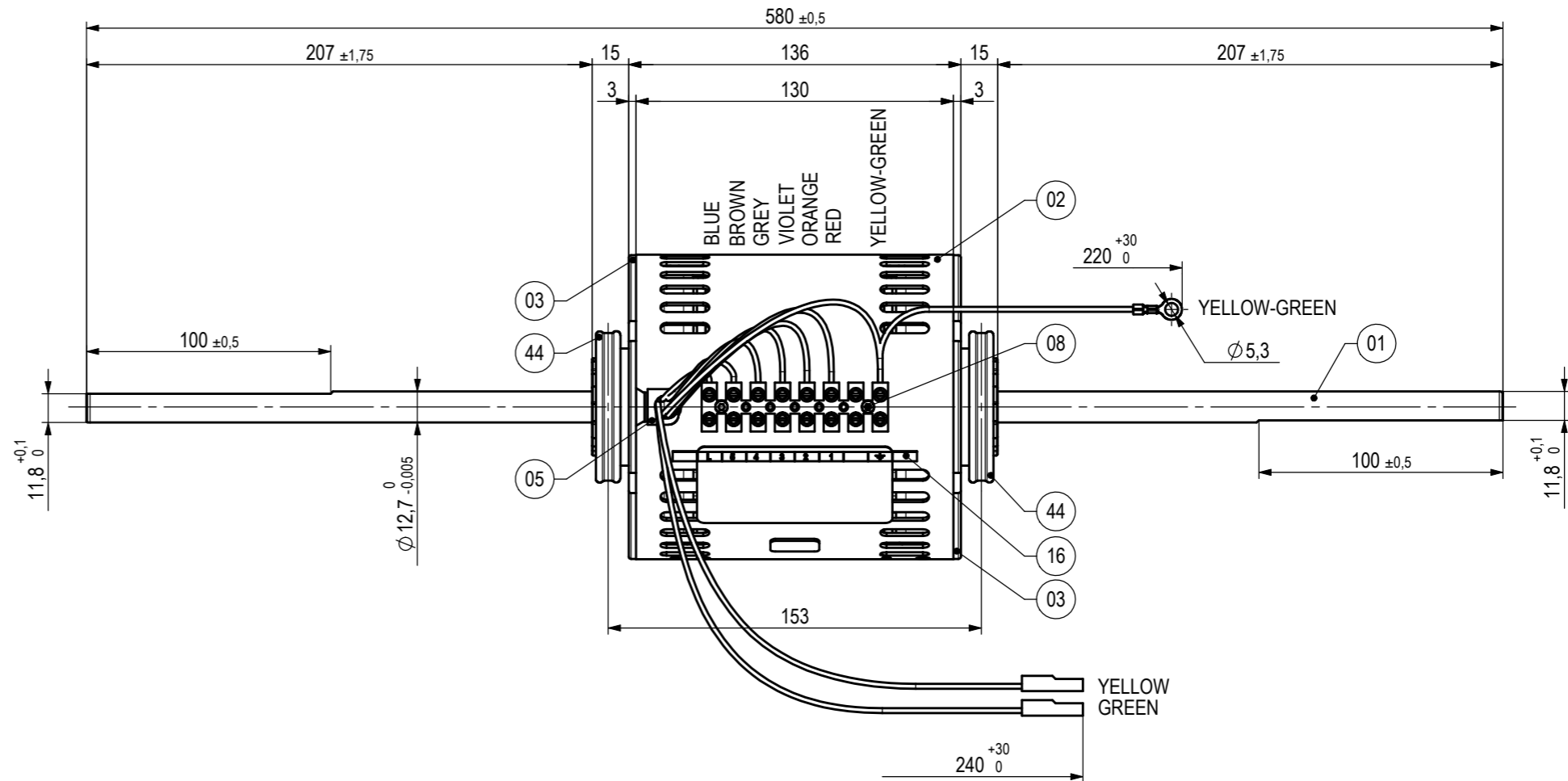
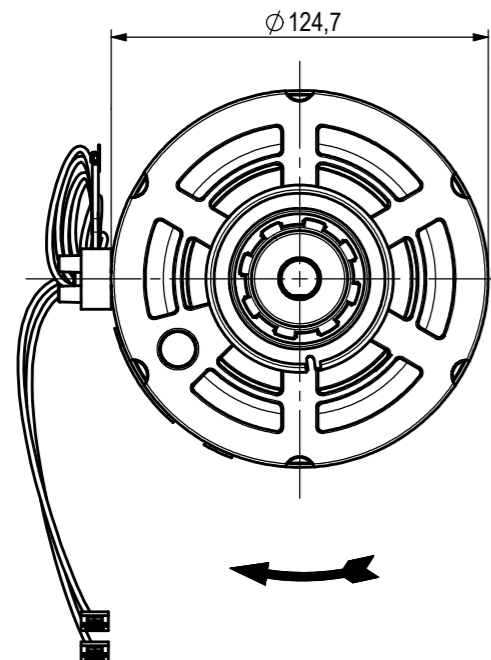
B

C

D

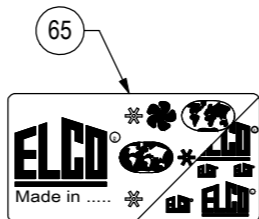
E

F



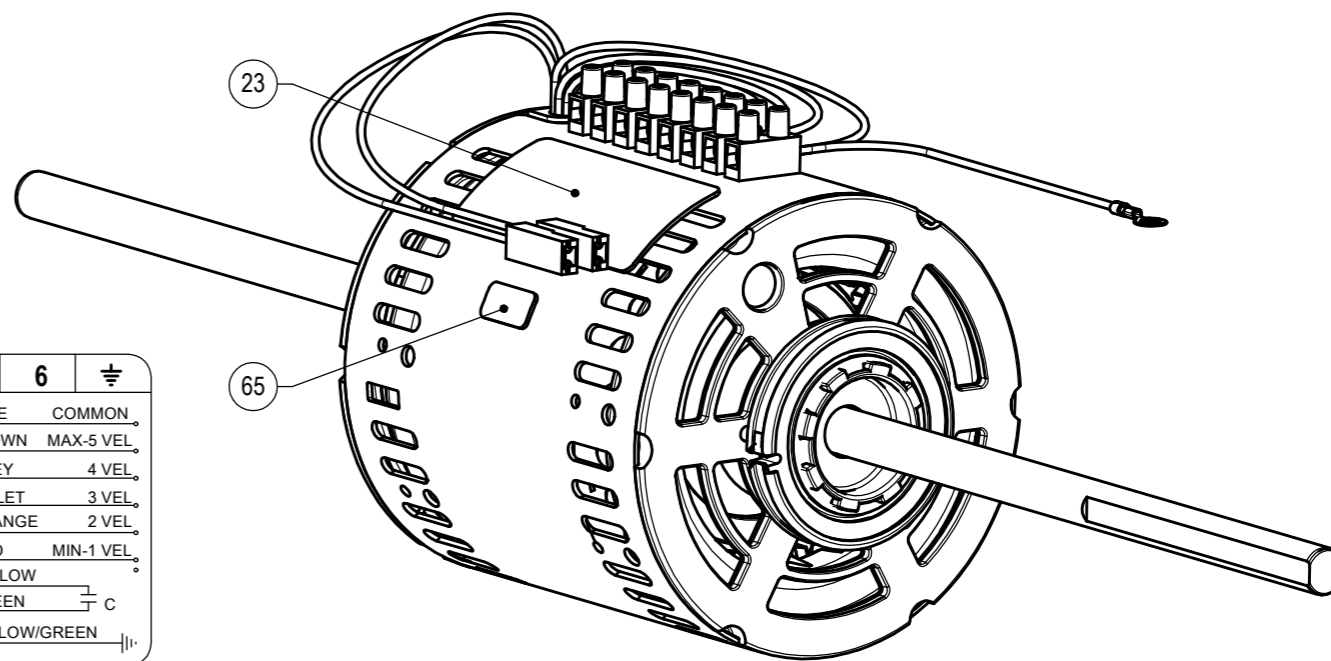
CLASS "F" MOTOR - SLEEVE BEARINGS MANUFACTURED
(Motore in classe "F" - Esecuzione a bronzine)

AXIAL CLEARANCE (Gioco assiale)	1,0 - 3,5 mm
SHELL (Fascia)	OPEN (Aperta)
END SHIELD - LEADS SIDE (Coperchio lato Cavi)	OPEN (Aperto)
END SHIELD - OPPOSITE LEADS SIDE (Cop. lato opposto cavi)	OPEN (Aperto)
ASSEMBLING SPECIFICATION No. (Normativa per note di montaggio)	EL.UN.0009
MECHANICAL SPECIFICATION No. (Normativa per note di controllo meccanico)	EL.CM.0002
ELECTRICAL SPECIFICATION No. (Controllo elettrico con prescrizione)	M.2294/1



0	1	2	3	4	5	6	⏏
CODE: FGFB45TB0318R							
TYPE: 1FG 215-69-5V NA							
230V~ 50/60Hz Th.Prot. Ins.CL.F							
1,40A 155/285W 1300Rpm C=3,15μF 450VL							
1,50A 180/315W 1300Rpm C=4,0μF 450VL							
1,55A 195/340W 1300Rpm C=5μF 450VL							
1,65A 215/370W 1300Rpm C=6,3μF 450VL							
DATA							

BLUE COMMON
 BROWN MAX-5 VEL.
 GREY 4 VEL.
 VIOLET 3 VEL.
 ORANGE 2 VEL.
 RED MIN-1 VEL.
 YELLOW
 GREEN
 YELLOW/GREEN



Rel.	Date	Description	Executor signature	Checked
MODIFICATIONS				

For dimension without tolerance see standard UNI EN 22768-mK		Treatment	A3
Material			
	Drawn Baronio G. Date 23-01-2013 Check <i>[Signature]</i> Scale ---	MOTOR MOTORE 1FG 215-69-5V NA 230V 50/60Hz Th.Prot. CL.F	Weight gr. Ref. No Release -
			FGFB45TB0318R