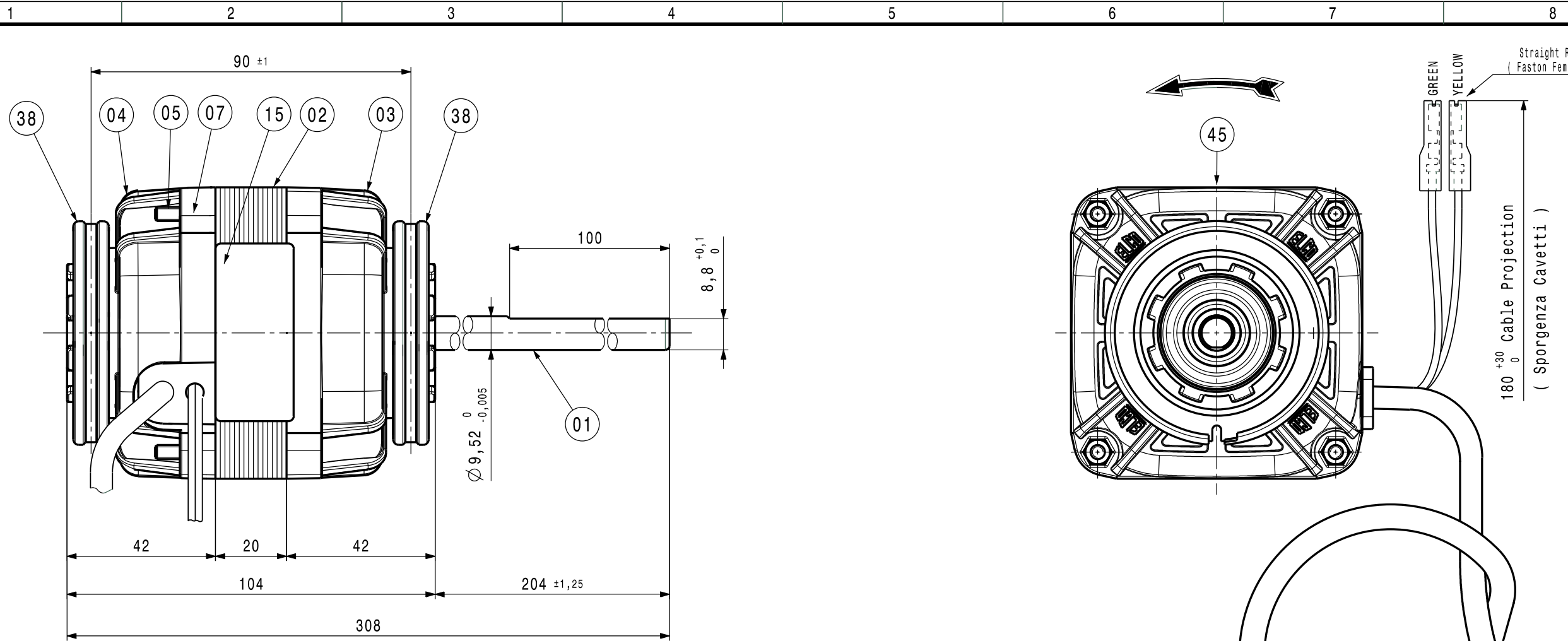
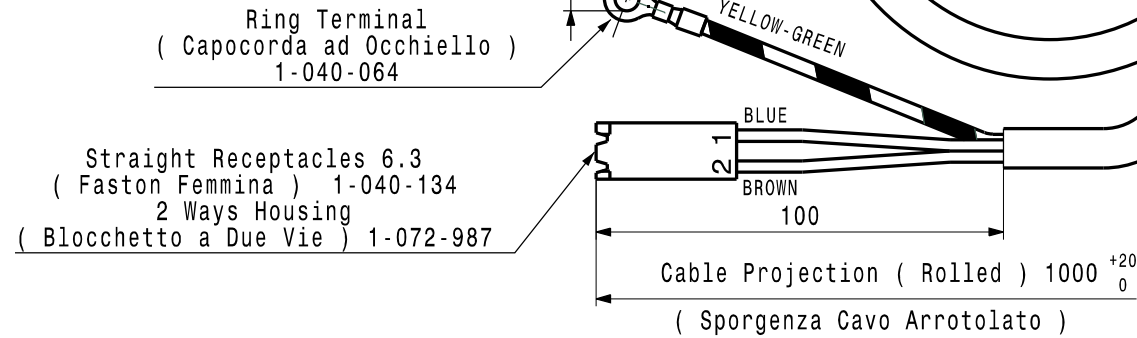


DRAWING MADE BY
CAD
HAND MADE MODIFICATIONS ARE FORBIDDEN



Caution :
In application to assemble with :
(In applicazione assemblare con :)
N°1 SUPPORT COD.1-045-1000
N°2 SPRING COD.1-050-086

CLASS "B" MOTOR - SLEEVE BEARING MANUFACTURED (Motore in Classe "B" - Esecuzione a Bronzine)	
AXIAL CLEARANCE (Gioco Assiale)	0,5 - 2,5 mm
COVER - CABLE SIDE (Coperchio Lato Cavi)	CLOSED (Chiuso)
COVER - OPPOSITE CABLE SIDE (Lato Opposto Cavi)	CLOSED (Chiuso)
ASSEMBLY SPECIFICATION (Normativa Note di Montaggio)	EL.UN.0002
MECHANICAL SPECIFICATION (Normativa di Controllo Meccanico)	EL.CM.0001
ELECTRICAL SPECIFICATION (Controllo Elettrico con Prescrizione N°)	M.2030/1



CODE: BTNM41TB0234
TYPE: 1BT 16-20-1V NA
230/240V- 50/60Hz TH.PROT. INS.CL.B
C=1,5µF 450VL 16/60W 0,27A 1100Rpm
C=2µF 450VL 20/70W 0,31A 1100Rpm
← ROTATION →

Wiring diagram showing connections for BLUE LINE, BROWN LINE, YELLOW, GREEN, and YELLOW/GREEN.



A 15-10-2010		CORRETTO DESCRIZIONI IN TARGHETTA (µ DIVENTA µF) (0,31W DIVENTA 0,31A)	Pedri R.	Sirtori
Rel	Date	Description	Executer signature	Checked
M O D I F I C A T I O N S				

For dim. without tolerance see standard UNI EN 22768-mK	Treatment	Material	A3
ELCO logo	Drawn Pedri R.	Date 24-02-2009	Weight
	Check T.Sirtori	Scale ---	Release A
	SINGLE PHASE MOTOR (Motore Monofase)		Ref.No
	230/240V - 50/60Hz		
	1BT 16-20-1V NA		BTNM41TB0234