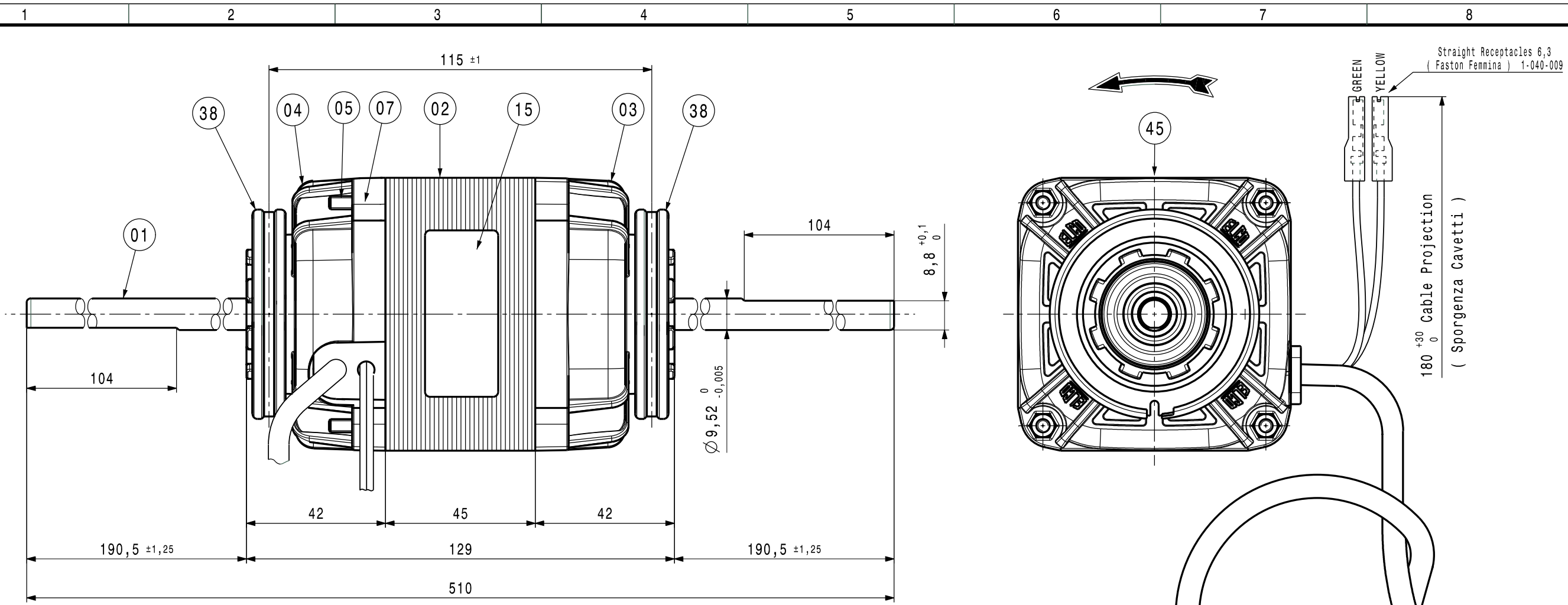


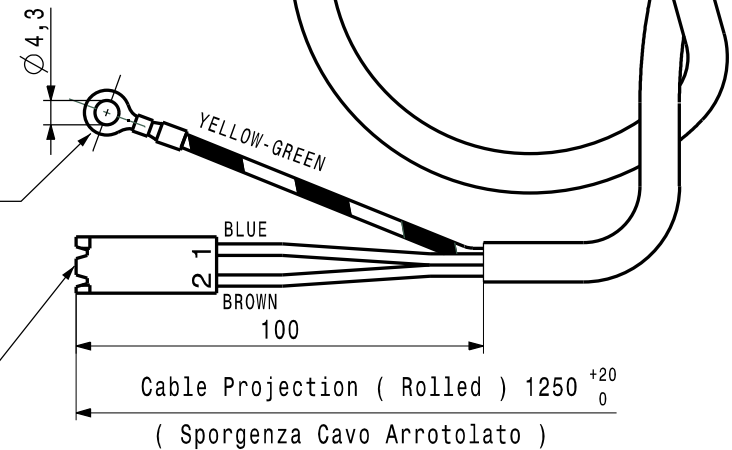
DRAWING MADE BY
CAD
HAND MADE MODIFICATIONS ARE FORBIDDEN



Caution :
In application to assemble with :
(In applicazione assemblare con :)
N°1 SUPPORT COD.1-045-1200
N°2 SPRING COD.1-050-086

Ring Terminal
(Capocorda ad Occhiello)
1-040-064

Straight Receptacles 6.3
(Faston Femmina) 1-040-134
2 Ways Housing
(Blocchetto a Due Vie) 1-072-987



CLASS "B" MOTOR - SLEEVE BEARING MANUFACTURED (Motore in Classe "B" - Esecuzione a Bronzine)	
AXIAL CLEARANCE (Gioco Assiale)	0,5 - 2,5 mm
COVER - CABLE SIDE (Coperchio Lato Cavi)	CLOSED (Chiuso)
COVER - OPPOSITE CABLE SIDE (Lato Opposto Cavi)	CLOSED (Chiuso)
ASSEMBLY SPECIFICATION (Normativa Note di Montaggio)	EL.UN.0002
MECHANICAL SPECIFICATION (Normativa di Controllo Meccanico)	EL.CM.0001
ELECTRICAL SPECIFICATION (Controllo Elettrico con Prescrizione N°)	M.2227/1

CODE: BTNB41TB0238
TYPE: 1BT 60-45-1V NA

BLUE	LINE
BROWN	LINE
YELLOW	LINE
GREEN	LINE
YELLOW/GREEN	LINE

230/240V- 50/60Hz TH.PROT. INS.CL.B
C=2,5µF 450V 55/150W 0,70A 1100rpm
C=3,15µF 450V 60/160W 0,73A 1100rpm

ROTATION

CE



Rel	Date	Description	Executor signature	Checked
A	15-10-2010	CORRETTO DESCRIZIONI IN TARGHETTA (µ DIVENTA µF) (0,73W DIVENTA 0,73A)	Pedri R.	Sirtori
M O D I F I C A T I O N S				

For dim. without tolerance see standard UNI EN 22768-mK	Treatment	Material	A3
ELCO	Drawn Pedri R.	SINGLE PHASE MOTOR (Motore Monofase)	
	Date 24-02-2009	230/240V - 50/60Hz	
	Check T.Sirtori	1BT 60-45-1V NA	
	Scale ---	Weight	Release A
		Ref.No	BTNB41TB0238