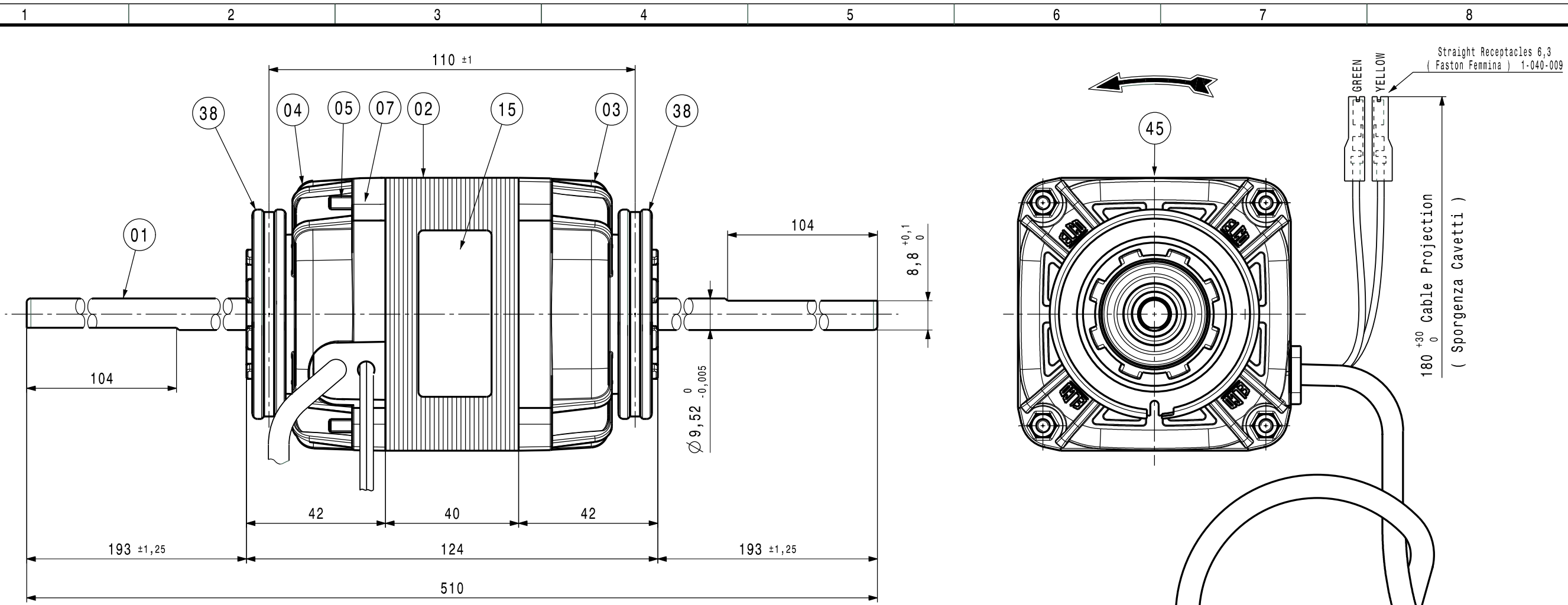
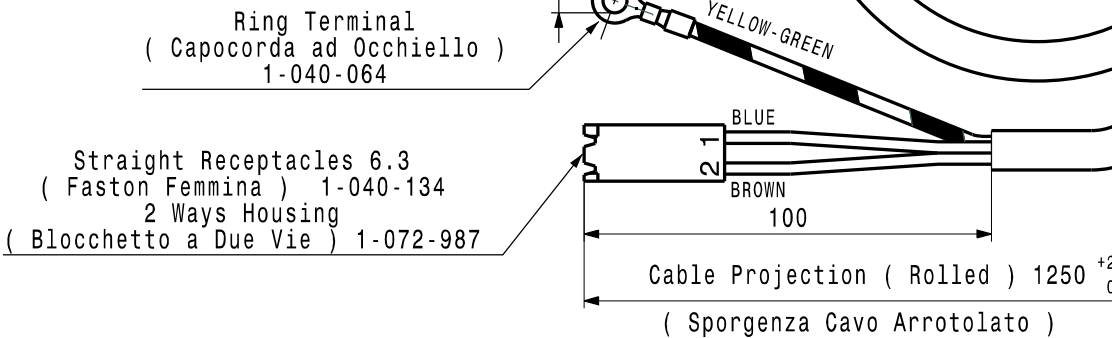


DRAWING MADE BY
CAD
HAND MADE MODIFICATIONS ARE FORBIDDEN



Caution :
In application to assemble with :
(In applicazione assemblare con :)
N°1 SUPPORT COD.1-045-1042
N°2 SPRING COD.1-050-086



CLASS "B" MOTOR - SLEEVE BEARING MANUFACTURED (Motore in Classe "B" - Esecuzione a Bronzine)	
AXIAL CLEARANCE (Gioco Assiale)	0,5 - 2,5 mm
COVER - CABLE SIDE (Coperchio Lato Cavi)	CLOSED (Chiuso)
COVER - OPPOSITE CABLE SIDE (Lato Opposto Cavi)	CLOSED (Chiuso)
ASSEMBLY SPECIFICATION (Normativa Note di Montaggio)	EL.UN.0002
MECHANICAL SPECIFICATION (Normativa di Controllo Meccanico)	EL.CM.0001
ELECTRICAL SPECIFICATION (Controllo Elettrico con Prescrizione N°)	M.2025/3

CODE: BTNB41TB0237
TYPE: 1BT 45-40-1V NA

230/240V- 50/60Hz TH.PROT. INS.CL.B
C=2,5µF 450VL 40/130W 0,60A 1100Rpm
C=3,15µF 450VL 45/145W 0,65A 1100Rpm

← ROTATION →

BLUE LINE
BROWN LINE
YELLOW
GREEN
YELLOW/GREEN

CE



Rel	Date	Description	Executor signature	Checked
A	15-10-2010	CORRETTO DESCRIZIONI IN TARGHETTA (µ DIVENTA µF) (0,65W DIVENTA 0,65A)	Pedri R.	Sirtori
MODIFICATIONS				
1	2	3	4	

For dim. without tolerance see standard UNI EN 22768-mK

Treatment
Material

ELCO logo

Drawn Pedri R.
Date 24-02-2009
Check T.Sirtori
Scale

SINGLE PHASE MOTOR (Motore Monofase)
230/240V - 50/60Hz
1BT 45-40-1V NA

Weight
Ref.No

A3

Release A

BTNB41TB0237