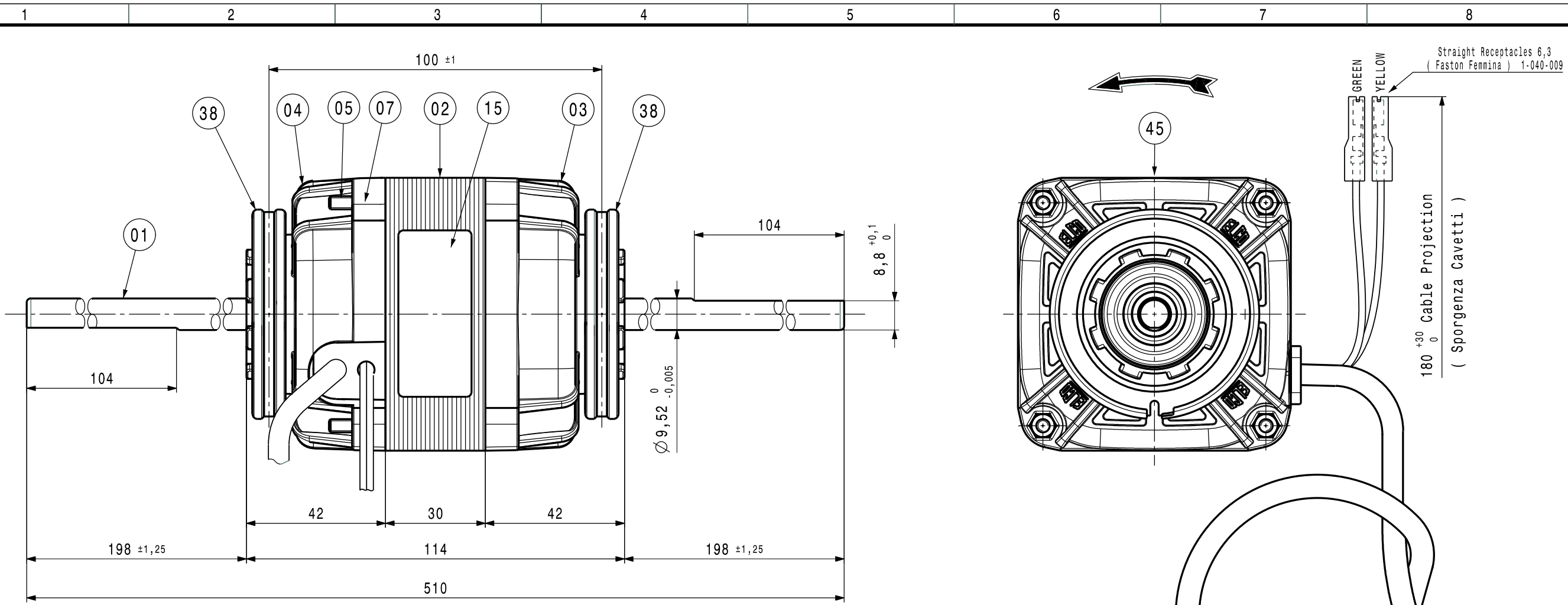


DRAWING MADE BY  
CAD  
HAND MADE MODIFICATIONS ARE FORBIDDEN



**Caution :**  
In application to assemble with :  
( In applicazione assemblare con : )  
N°1 SUPPORT COD.1-045-1022  
N°2 SPRING COD.1-050-086

Ring Terminal  
( Capocorda ad Occhiello )  
1-040-064

Straight Receptacles 6.3  
( Faston Femmina ) 1-040-134  
2 Ways Housing  
( Blocchetto a Due Vie ) 1-072-987

CLASS "B" MOTOR - SLEEVE BEARING MANUFACTURED ( Motore in Classe "B" - Esecuzione a Bronzine )	
AXIAL CLEARANCE ( Gioco Assiale )	0,5 - 2,5 mm
COVER - CABLE SIDE ( Coperchio Lato Cavi )	CLOSED ( Chiuso )
COVER - OPPOSITE CABLE SIDE ( Lato Opposto Cavi )	CLOSED ( Chiuso )
ASSEMBLY SPECIFICATION ( Normativa Note di Montaggio )	EL.UN.0002
MECHANICAL SPECIFICATION ( Normativa di Controllo Meccanico )	EL.CM.0001
ELECTRICAL SPECIFICATION ( Controllo Elettrico con Prescrizione N° )	M.2046/3

CODE: BTNB41TB0236  
TYPE: 1BT 27-30-1V NA

230/240V- 50/60Hz TH.PROT. INS.CL.B  
C=1,5µF 450VL 27/86W 0,38A 1100Rpm  
C=2µF 450VL 32/100W 0,43A 1100Rpm

← ROTATION →

BLUE LINE  
BROWN LINE  
YELLOW  
GREEN  
YELLOW/GREEN

DATA



Rel	Date	Description	Executor signature	Checked
A	15-10-2010	CORRETTO DESCRIZIONI IN TARGHETTA ( µ DIVENTA µF ) ( 0,43W DIVENTA 0,43A )	Pedri R.	Sirtori
M O D I F I C A T I O N S				

For dim. without tolerance see standard UNI EN 22768-mK

Treatment . . . . .  
Material . . . . .

Weight . . . . .  
Ref.No . . . . .

Release **A**

**ELCO** Drawn Pedri R.  
Date 24-02-2009  
Check T.Sirtori  
Scale ---

**SINGLE PHASE MOTOR ( Motore Monofase )**  
230/240V - 50/60Hz  
1BT 27-30-1V NA

**BTNB41TB0236**